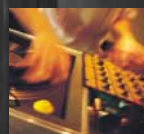


# Panaray® MB4 Modular Bass Loudspeaker



**BOSE**

# Panaray® MB4 Modular Bass Loudspeaker



## Great performance. Great flexibility. Great solution.

For low-frequency sound reinforcement applications, the 200-watt Panaray MB4 modular bass loudspeaker delivers the performance you want along with convenience and flexibility. It adds richness, power and emotion to music. Its output, bandwidth and size make it valuable as a single unit or as a building block to extend the low-end response of your professional systems. The MB4 can be used in permanent installations, or as a portable element for DJs and live sound reinforcement.



## A good match for most wide-range speakers.

With a frequency response of 40-300Hz, the MB4 can easily be matched with any Bose® professional loudspeaker. Its small size and modular design allow units to be combined to provide incremental bass output. As a result, you can match the low-frequency sound-pressure levels to the output of the other speakers in your system. The MB4 is engineered for use with Panaray 302™A, 402®-II, 502®A, 802®-III, MA12 or LT speaker systems.

## System control at the touch of a button.

The Panaray system digital controller is a one-box solution that provides smooth, accurate active equalization for MB4 loudspeakers. It provides pushbutton selection for all combinations of Bose professional loudspeakers. When used with the MB4 loudspeaker, the Panaray controller provides the correct EQ and crossover points for all mid-high devices. Four independent

output limiters protect speakers from unpredictable spikes in program material. And the Panaray controller includes four independent channels of delay for distributed systems and for creating custom bass arrays.

## Build as much low-end as you need.

Created with bass coupling in mind, multiple MB4 units can be combined to provide an extra 6dB of low-frequency output every time you double the number of MB4 speakers in your system.

When combined with the Panaray controller, you can control the directionality of low-frequency energy by using multiple MB4 speakers. This allows you to create endfire or broadside arrays to “aim” the sound where you want it – toward the dance floor and away from the bar, for example.

The Panaray controller includes preprogrammed settings for 2X endfire and broadside bass arrays and 4X endfire bass arrays – making it easy to create directional bass for specialized applications.

## Easy to carry, easy to install.

Weighing just 45 pounds, the MB4 can be carried like a suitcase with its built-in molded handles. Its sturdy cabinet features reinforced endcaps for protection during setup and tear-down. For permanent installations, the MB4 can be stacked, or mounted on walls or ceilings. It can also be flown by integral hang-points.

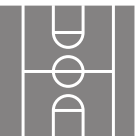


**Quick-scan benefits of the MB4 Modular Bass Loudspeaker**

Four 5¼" drivers provide frequency response from 40-300Hz.

Delivers seamless sound when used with most mid-high devices.

Small size and modular design allow units to be combined for incremental output.



**Engineered for demanding professional applications.**

The MB4 modular bass loudspeaker has been engineered and tested for demanding environments. Its fuseless internal circuitry protects the speaker and reduces the need for service calls. Paintable to match any décor, the MB4 is backed by a transferable five-year limited warranty.



**Bass coupling:**  
Can be used in multiples as building blocks. Doubling the number of MB4 speakers increases bass output by 6dB.

**Custom bass arrays** at the touch of a button permit bass to be directed.

**Light weight** for easy portability.

**Sturdy design** and reinforced endcaps protect during setup and tear-down.

**Integrated hang-points** allow for ceiling or wall mounting in singles, multiples and arrays.

**BOSE**  
Better sound through research®

# Panaray® MB4 Modular Bass Loudspeaker

## Specifications

### Dimensions:

18.1" D x 10.2" W x 26.7" H (46 cm x 25.9 cm x 67.8 cm)

### Weight:

45 lbs. (20kg)

### Driver complement:

Four 5¼" drivers in a direct vented box

### Maximum acoustic output:

110dB-SPL, @ 1m (pink noise)

### Impedance:

8Ω nominal

### Long-term power handling:

200W continuous

### Frequency range:

40Hz to 300Hz ±3dB

### Sensitivity:

87dB-SPL @ 1W, 1m (pink noise)

### Cabinet:

Wood wrap with polyethylene endcaps and metal grille

### Connectors:

Neutrik® NL-4 Speakon connectors

### Color:

Black or White

## Accessories

### Bose Panaray system digital controller

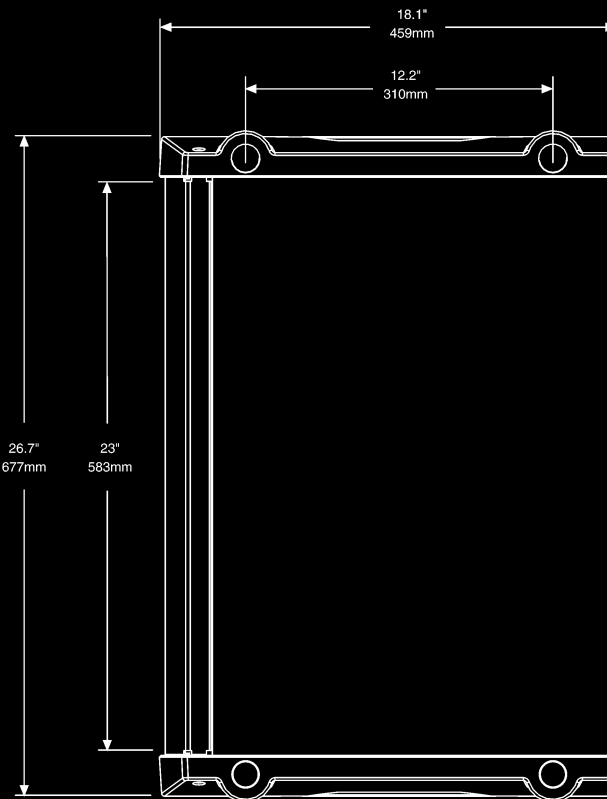
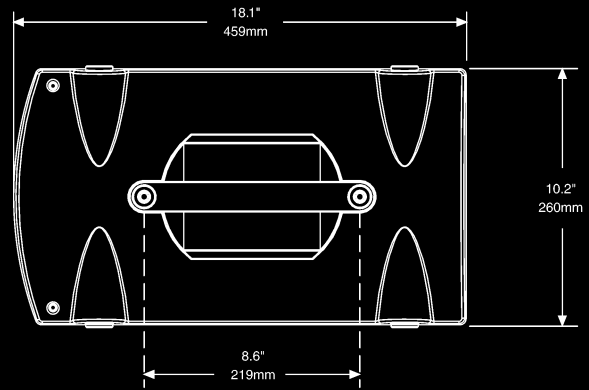
featuring "one-touch" equalization, 4 programmable channels for delay, limiting and signal routing.

**MB4 EQ card** provides active equalization for MB4 loudspeakers combined with Bose 302™A, 402®-II, 502®A, 802®-III and MA12 loudspeakers.

**MB4 Panaray LT EQ card** provides active equalization when used with the input cards of a Bose® amplifier and Panaray LT speakers.

**MB4 single-unit wall mount bracket** for easy permanent installation on vertical surfaces. Black or White.

Product specifications subject to change without notice.



For more information

call 877.428.2673

or contact

Bose Corporation

Professional Systems

The Mountain

Framingham, MA 01701

[www.bose.com/pro](http://www.bose.com/pro)

**BOSE**  
Better sound through research®